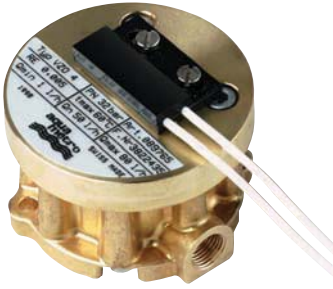


## VZO 4 and 8 OEM

### Technical data 1)



- fuel oil meters for OEMs (original equipment manufacturers), to be mounted under the burner cover
- meters with lateral internal threaded connections
- with 230 V Reed pulser to display measurement values on remote totaliser or on burner control unit
- for mounting in horizontal, vertical or inclined positions

Type		VZO 4 OEM	VZO 8 OEM	
<b>Nominal diameter</b>	<b>mm</b>	<b>4</b>	<b>8</b>	
	inch	1/8	1/4	
Connection threads of meter	inch	1/8	1/4	
Nominal pressure	bar	32	25	
Temperature	T <sub>max</sub> °C	60	60	
Maximum flow rate	Q <sub>max</sub> <sup>2)</sup> l/h	80	200	
<b>Nominal flow rate</b>	<b>Q<sub>cont</sub><sup>2)</sup> l/h</b>	<b>50</b>	<b>135</b>	
Minimal flow rate	Q <sub>min</sub> <sup>3)</sup> l/h	1	4	
Approx. starting flow rate	l/h	0.4	1.6	
Max. permissible error		±1 % of actual value <sup>3)</sup>		
Repeatability		±0.2 %		
Safety filter mesh size	mm	-	0.150	
<b>Dirt filter mesh size</b>	<b>mm</b>	<b>0.080</b>	<b>0.100</b>	
Volume of the measuring chamber	approx. cm <sup>3</sup>	5	12.5	
Weight	approx. kg	0.65	0.75	
Reed pulsers	RE	l/pulse	0.005	0.0125
Pulse frequency	at Q <sub>max</sub>	Hz	4.444	4.444
	at Q <sub>min</sub>	Hz	0.056	0.089

1) Manufacturer's specification, valid for the reference conditions as specified under "APPENDIX: Meter data".

2) For burners and engines or motors, the meter must be selected on the basis of the permanent flow rate. For higher viscosities, or if the meter is installed on the suction side, the pressure drop and any reduction in the measuring range must also be taken into consideration.

3) Max. permissible error: VZO 4 OEM: 1 l/h ... 2 l/h = +1 %/- 2 %.

### Safety precaution

When connecting the Reed pulser to a low-voltage power source (50...250 VAC/DC), the specialist installing the equipment is responsible for ensuring that all local regulations are observed (e.g. regulations for electrical installations, personnel safety).

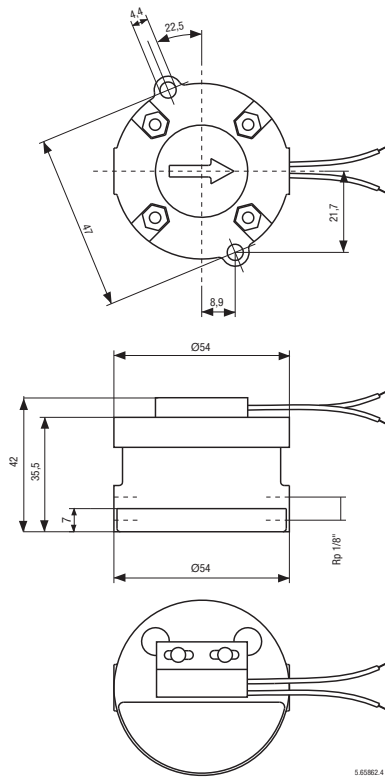
Avoid disturb of electromagnetically fields.

### Pressure drop curves

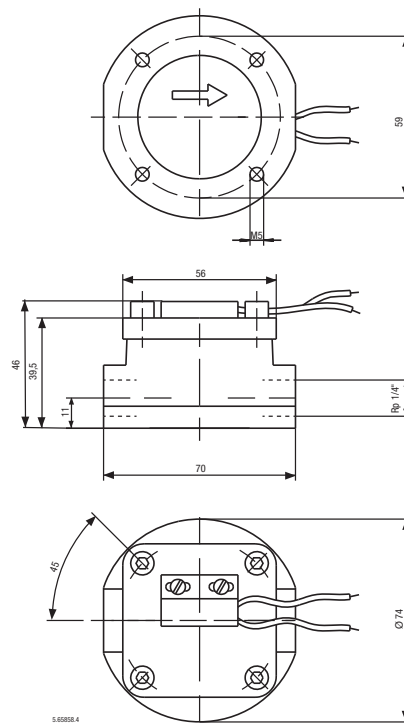
See "APPENDIX: Meter data"

## Dimensions in mm

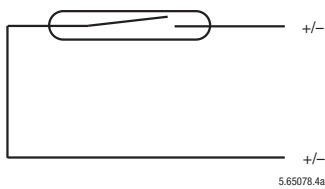
VZO 4 OEM



VZO 8 OEM



## RE Pulsers



Switching element:  
Switching voltage:  
Switching current:  
Quiescent current:  
Switching power:  
ON-time:  
Temperature:  
Protection class:  
Connections:

- Reed switch with dry contact (inert gas)
- max. 230 V AC/DC
- max. 50 mA
- Open Contact
- max. 3 VA
- 40...55%
- Ambient -10 ... +60 °C
- IP 65 (IEC 60529) against dust and water-jets
- Cable cross section  $2 \times 0.5 \text{ mm}^2$ , length 480 mm

## Remote totaliser for VZO 4 OEM



Power supply:  
Pulse value (input):  
Smallest readable amount:  
Registration capacity:  
Registration:  
Panel cut-out:  
Installation depth:

- 230 V, 50/60 Hz
- 0.005 l
- 0.005 l
- 10 000 l
- at Q before return to zero 200 h
- $27 \times 14.4 - 0/+ 0.2 \text{ mm}$
- 56 mm

## Ordering specifications

	Type	Description	Order No.
	VZO 4 OEM-RE 0.005	Version for OEMs	89765
		Remote totaliser for VZO 4 OEM	93349
	VZO 8 OEM-RE 0.0125	Version for OEMs	89771